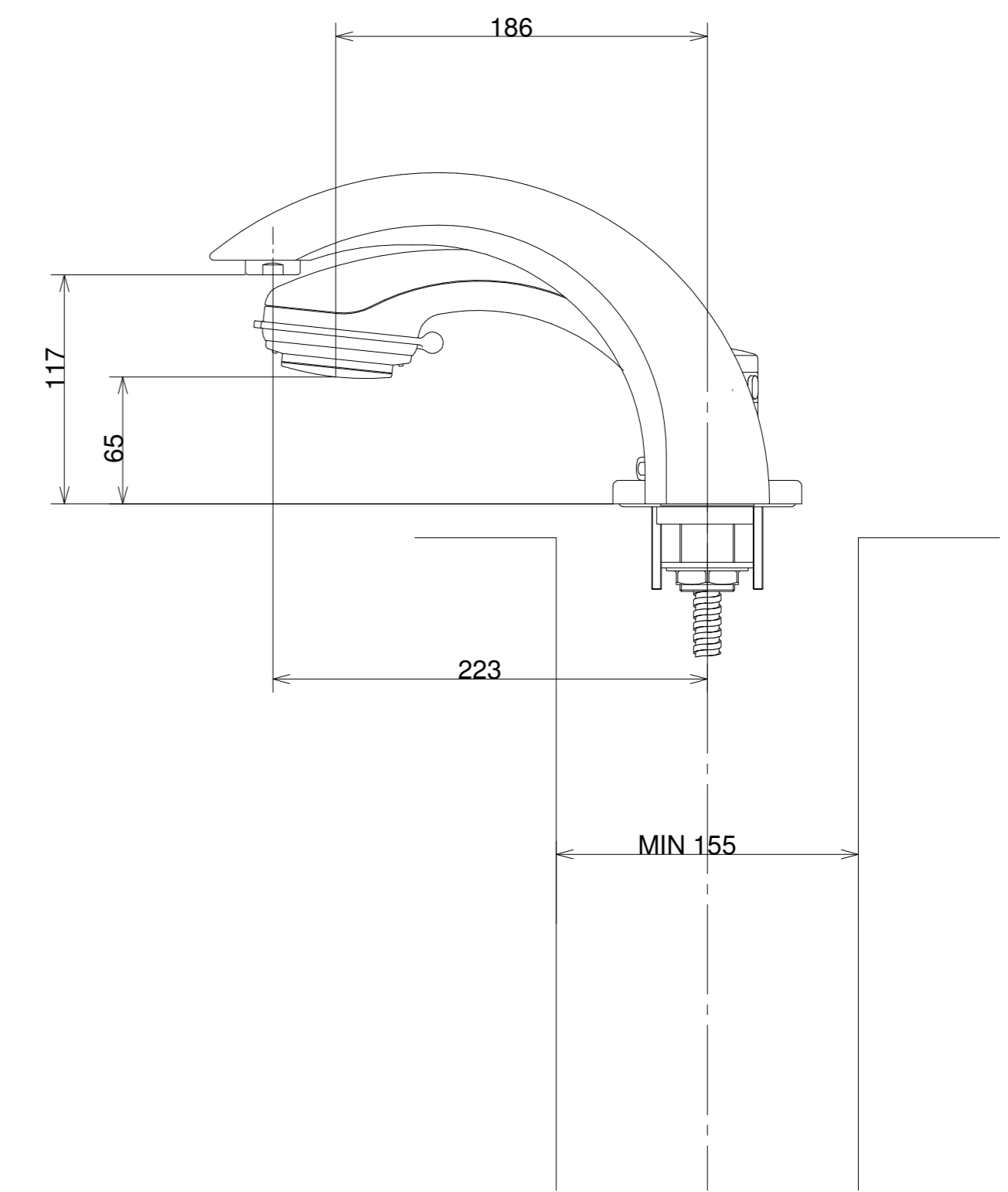
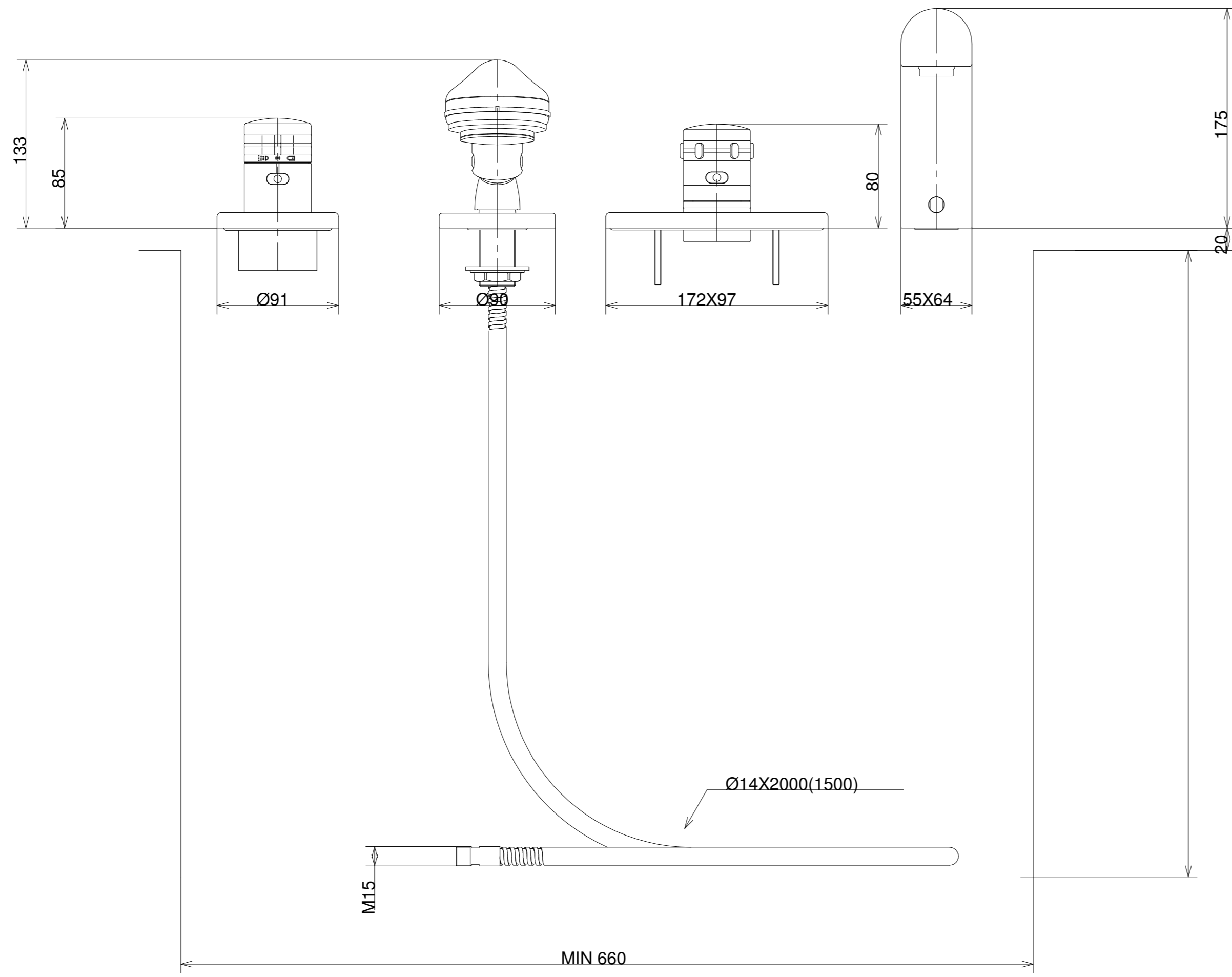
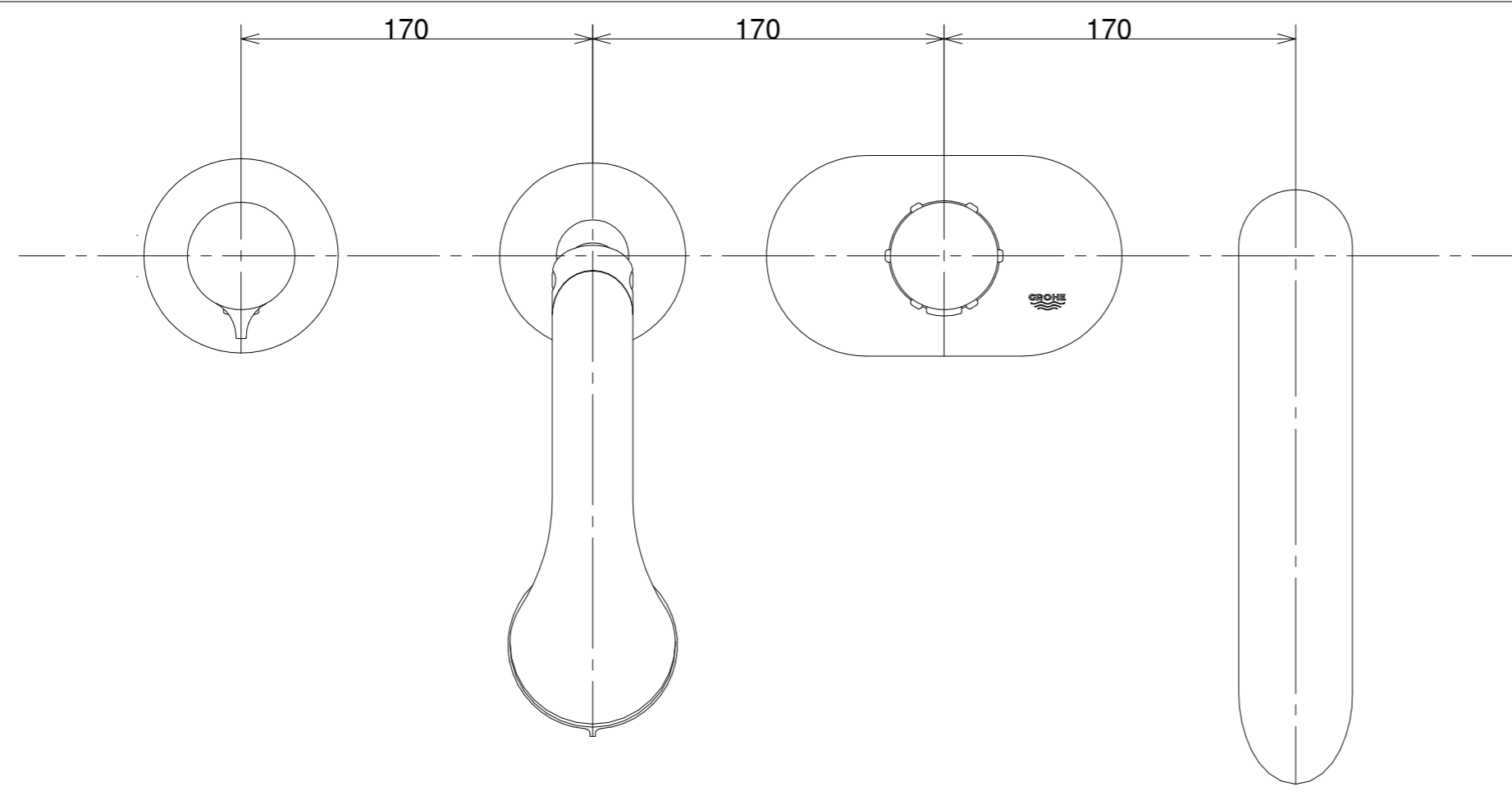


Revisions	Shower								
Date	99. 9.10								
Name	Matsumoto								
Proof									



Drawn	Date	Name	Grohe Japan Ltd Sumitomo Gaiien Bldg. 24 Daiiyo-cho Shinjuku-ku, Tokyo 160 Telefon:03-5296-9684	
Proof	98. 4. 10	Matsumoto		
Approved				
Scale	CHIARA Thermostat bath Exposed parts sower set			
				CAD